

# KOMATSU®

## PC35MR-2

OPERATING WEIGHT

3.580 - 4.025 kg

NET POWER

21,7 kW / 29 HP @ 2.400 rpm

BUCKET CAPACITY

0,035 - 0,13 m<sup>3</sup>

**PC**  
**35MR-2**



MINI-EXCAVATOR

**PC35MR-2**

# WALK-AROUND

## ***Tradition and Innovation***

The new compact mini-excavator is the product of the competence and the technology that KOMATSU has been acquiring for over the past eighty years. The project has been developed with a constant attention to the needs of customers from all over the world; the result is a user-friendly machine, which offers top class performance.

## ***Performance***

The new short tail PC35MR-2 supplies optimal power and digging speed in confined spaces: yards, road works, demolition works, sewers, wherever traditional machines cannot work. Sturdiness and excellent stability ensure safety and confidence in any condition.

## ***Komatsu CLSS***

The **CLSS (Closed Load Sensing System)** hydraulic circuit guarantees power, speed and perfect control to all movements, including the combined ones. The main feature of this system is the connection between two variable displacement pumps and the closed-centre circuit with load sensing, which allows operators to perform all movements with maximum efficiency, regardless of the load or the rpm. These characteristics are highlighted by the hydraulic servo-controls, which are by far the easiest to use and require minimum efforts to perform extremely precise manoeuvres.

## ***Comfort***

Despite its compact size, the PC35MR-2 offers a comfort which has no equals: spacious cab, **PPC** proportional servo-controls for all movements, sliding door, gas spring assisted front window, storage drawer, hook, cup holder, courtesy lamp and, upon request, radio and air conditioning.

## ***Versatility***

Many available configurations allow the operator to choose the right machine for the specific job: short or long arm, cab or canopy, rubber or steel



**OPERATING WEIGHT**  
3.580 - 4.025 kg

**NET POWER**  
21,7 kW / 29 HP @ 2.400 rpm

**BUCKET CAPACITY**  
0,035 - 0,13 m<sup>3</sup>

shoes, extra counterweight.

Moreover, the 1 / 2 way auxiliary hydraulic circuit consents to use multiple working tools, like the hammer, the clamshell bucket, the auger, etc.

### **Maintenance**

All periodic inspection points are easily accessible through the bonnets. The fuel and the hydraulic oil tanks are located under the side bonnet, in a safe and easy to reach position.



In addition, extra-ordinary maintenance can be performed by simply tilting the cab upwards: under the floor, the operator can find all major hydraulic components, like the main valve or the swing motor. ORFS hydraulic face seal connectors and DT electric connectors improve the reliability of the machine and make repairs easier and faster. Special technical solutions have allowed to extend up to 500 hours the intervals for most ordinary maintenance operations, such as pin greasing or engine oil replacement.

Also, to avoid possible leakage, all tanks are equipped with a draining hose: this confirms once again the attention KOMATSU pays to the environment.

# OPERATOR'S ENVIRONMENT



The spacious cab has been developed with exceptional care for details, making the work environment noiseless and comfortable. Special attention has been paid to the internal layout: ergonomic and dedicated PPC controls; speed switch button on the panel instead of pedal, which consequently offers more floor room; adjustable seat; gas spring assisted front window opening; efficient heating and ventilation system. Air conditioning is upon request and guarantees optimal thermal comfort all year long.

Last, but not least, the upper rail type sliding door makes getting on/off the machine very easy and safe in any situation.

# STRONG POINTS

## **Engine**

The KOMATSU engine supplies the required power, keeping the fuel consumption very low. By taking advantage of state of the art technologies, it ensures minimum levels of noise and emissions (STAGE 2).



## **Automatic Shift Down**

Once turned on, this device automatically adjusts the hydraulic travel motor to the working conditions: maximum displacement for faster movements, minimum displacement for top drawbar pull. This process doesn't require operator's support.



## **Attachment line**

The 1 / 2 way auxiliary hydraulic circuit allows the use of several tools for different purposes: hammer, clamshell bucket, and so on. The switching between the two options is realised simply by means of a cock, which is located on the side of the machine and right behind a little bonnet.



## **X-Frame**

The new casted type X-frame ensures maximum stress resistance and optimal stress distribution; this shape makes the machine much more rigid and reliable. In addition, it facilitates the usual undercarriage cleaning operations and the spoil removing.

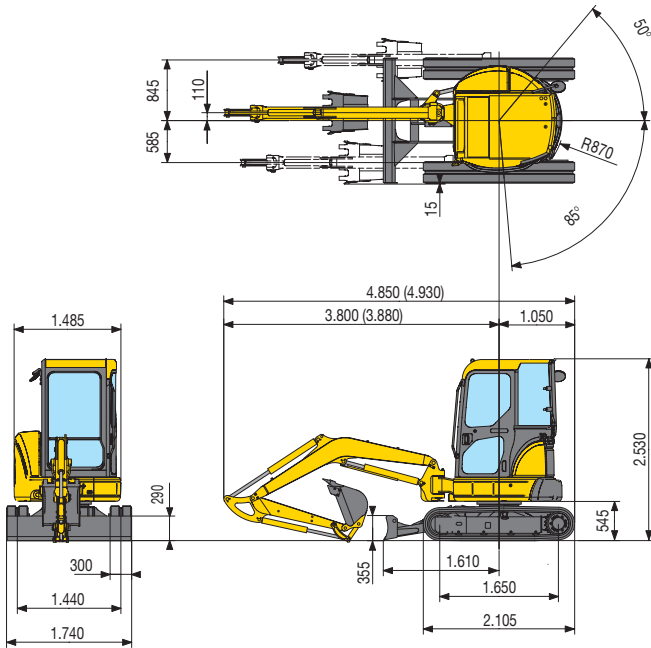


## **Additional Counterweight**

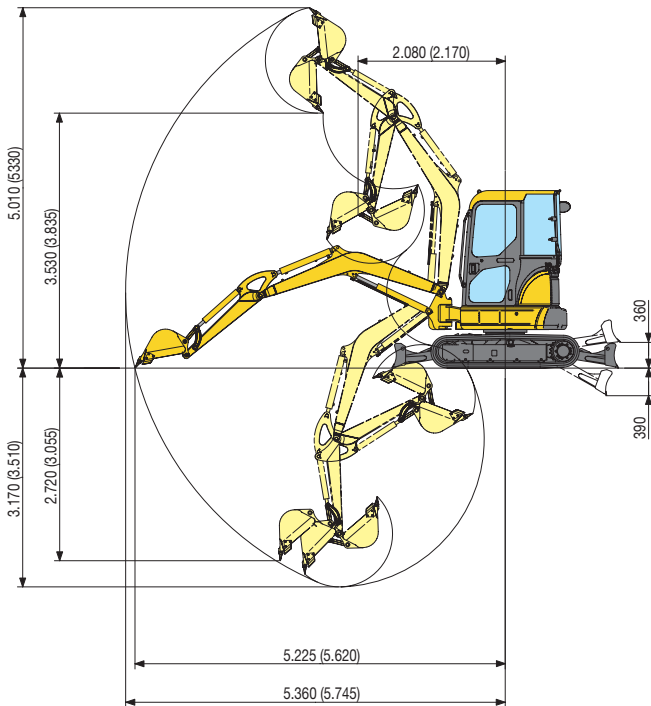
The opportunity to quickly add and remove counterweight allows conversion to the PC35MR-2 from *0-Tail* to *Short Tail* and vice-versa, thereby satisfying specific job-site requirements. Such counterweight increases the machine stability and the lifting capacity.



# DIMENSIONS & WORKING RANGE



BUCKET RANGE			
Width mm	Capacity m <sup>3</sup> (ISO7451)	Weight kg	Teeth N.
300	0,035	55	2
400	0,07	65	3
500	0,095	80	4
600	0,12	90	5
650	0,13	95	5



## Machine with Cab, Steel Shoes, Additional Counterweight and Blade at Ground Level

A - Distance from machine's center B - Height at bucket pin.

Arm length 1.350 mm										
B	A		2 m		3 m		4 m		Max. outreach	
	Front.	360°	Front.	360°	Front.	360°	Front.	360°	Front.	360°
3 m	/	/	/	/	(*) 750	530	(*) 750	505		
2 m	/	/	(*) 1.045	825	(*) 815	525	(*) 765	430		
1 m	/	/	(*) 1.380	780	(*) 925	510	(*) 780	405		
0 m	(*) 2.635	1.410	(*) 1.495	755	(*) 950	485	(*) 810	420		
-1 m	(*) 2.230	1.470	(*) 1.345	755	(*) 835	500	(*) 835	500		

Unit: kgf

Arm length 1.750 mm										
B	A		2 m		3 m		4 m		Max. outreach	
	Front.	360°	Front.	360°	Front.	360°	Front.	360°	Front.	360°
3 m	/	/	/	/	(*) 610	525	(*) 630	425		
2 m	/	/	(*) 840	820	(*) 700	515	(*) 645	365		
1 m	/	/	(*) 1.230	775	(*) 845	495	(*) 675	345		
0 m	(*) 2.910	1.390	(*) 1.395	700	(*) 940	480	(*) 705	355		
-1 m	(*) 2.565	1.395	(*) 1.410	730	(*) 900	475	(*) 745	410		

Unit: kgf

**NOTE:**

Ratings are based on ISO standard 10567. Rated loads do not exceed 87% of hydraulic lift capacity or 75% of tipping load.  
 - The values marked with an asterisk (\*) are limited by the hydraulic capacities - Calculations are based on the machine resting on a uniform and firm surface  
 - The lifting point is a hypothetical hook placed behind the bucket.

# SPECIFICATIONS



## ENGINE

The new generation engine has been developed to comply with the strictest emission controls (STAGE 2).

Model .....	Komatsu 3D88E-5
Type.....	emissionised 4-cycle diesel engine
Displacement.....	1.642 cm <sup>3</sup>
Bore x stroke.....	88 x 90 mm
No. of cylinders .....	3
Combustion.....	direct injection
Aspiration .....	natural
Net power (SAE J1349) .....	21,7 kW / 29 HP @ 2.400 rpm
Max. torque .....	105,1 Nm @ 1.440 rpm
Cooling system.....	water
Air filter type .....	dry
Starting.....	electric motor with pre-heating air system for cold climate



## SWING SYSTEM

The rotation is operated by means of an orbital hydraulic motor. Single ball-bearing ring with internal, induction hardened toothring. Centralised lubrication of the unit.  
Swing speed..... 9,0 rpm



## TRANSMISSION

Type.....2 speed hydrostatic transmission, controlled and steered by means of two levers and two pedals  
Hydraulic motors..... 2 x axial pistons  
Reduction system..... epicyclic reduction gears  
Max. drawbar pull.....3.530 daN (3.600 kgf)  
Travel speed.....2,8 - 4,6 km/h



## OPERATING WEIGHT

Operating weight with standard bucket, fully serviced, +80 kg operator (ISO 6016).	
Operating weight with cab and rubber shoes .....	3.755 kg
Operating weight with cab and steel shoes .....	3.865 kg
Canopy .....	-175 kg (optional)
Additional counterweight .....	+160 kg



## BLADE

Type..... electro-welded, single unit structure  
Width x height..... 1.740 x 355 mm  
Max. lifting above ground level..... 360 mm  
Max. depth below ground level..... 390 mm



## UNDERCARRIAGE

Central lower casted X-frame and carriage frame with boxed section.  
Shoes (each side)..... 44  
Track rollers (each side)..... 4  
Shoe width..... 300 mm  
Ground pressure (standard)..... 0,36 kg/cm<sup>2</sup>



## HYDRAULIC SYSTEM

Type.....	Komatsu CLSS
Main pumps.....	2 variable displacement pumps + 1 gear pump
Max. pump flow.....	36,1 x 2 + 19,8 ltr/min
Max operating pressure:	
Working equipment .....	26 MPa (260 bar)
Hydraulic motors:	
Travel .....	2 x variable displacement
Swing.....	1 x fixed displacement
Hydraulic cylinders (bore x stroke):	
Boom .....	80 x 585 mm
Arm .....	75 x 595 mm
Bucket.....	65 x 490 mm
Boom swing.....	95 x 482 mm
Blade.....	95 x 140 mm
Bucket digging force (ISO 6015) .....	2.990 daN (3.050 kg)
Arm crowd force (ISO 6015):	
1.350 mm arm.....	2.157 daN (2.200 kg)
1.750 mm arm.....	1.814 daN (1.850 kg)

The digging equipment is fully controlled by PPC servo-controls. All movements are stopped by lifting the safety levers on the tiltable case.



## ELECTRIC SYSTEM

Voltage .....	12 V
Battery.....	68 Ah
Alternator.....	40 A
Starter motor .....	2,0 kW



## SERVICE CAPACITIES

Fuel tank.....	44 ltr
Radiator and system .....	3,3 ltr
Engine oil.....	7,2 ltr
Hydraulic system.....	45 ltr

# MINI-EXCAVATOR

## STANDARD EQUIPMENT

- |   |  |   |   |
|---|--|---|---|
| <ul style="list-style-type: none"> <li>• ROPS (ISO 3471) / FOPS (ISO 10262) tiltable cab with heating</li> <li>• Sliding door</li> <li>• Steel shoes</li> </ul> | <ul style="list-style-type: none"> <li>• Two speeds with "Automatic Shift Down"</li> <li>• 1.350 mm digging arm</li> </ul> | <ul style="list-style-type: none"> <li>• 1 / 2 way auxiliary hydraulic circuit up to the boom</li> <li>• Blade</li> </ul> | <ul style="list-style-type: none"> <li>• Adjustable suspension seat</li> <li>• Lifting cylinder guard</li> <li>• Working light on boom</li> </ul> |
|---|--|---|---|

## OPTIONAL EQUIPMENT

- |  |   |   |   |
|--|---|---|---|
| <ul style="list-style-type: none"> <li>• ROPS (ISO 3471) / FOPS (ISO 10262) tiltable canopy</li> <li>• Rubber shoes</li> <li>• 1.750 mm digging arm</li> <li>• Additional counterweight</li> </ul> | <ul style="list-style-type: none"> <li>• Air conditioning</li> <li>• Bucket range (300 - 700 mm)</li> <li>• 1.300 mm ditch cleaning bucket</li> <li>• Extension of the auxiliary hydraulic circuit up to the arm, with quick couplings</li> </ul> | <ul style="list-style-type: none"> <li>• Cocks for bucket cylinder</li> <li>• Boom, arm and blade safety valves</li> <li>• Overloading alarm</li> <li>• Travel acoustic alarm</li> <li>• Rotating beacon</li> </ul> | <ul style="list-style-type: none"> <li>• Biodegradable oil</li> <li>• Rearview mirrors</li> <li>• Cab/canopy working lights</li> <li>• Front and top protection guards</li> </ul> |
|--|---|---|---|



**Manufacturer: Komatsu Utility Europe**

Head Office · via Atheste 4 · 35042 Este (Padova) - Italy

Tel. +39 0429 616111 · Fax +39 0429 601000 · [www.komatsueurope.com](http://www.komatsueurope.com) · [utility@komatsu.it](mailto:utility@komatsu.it)



**Komatsu Europe International NV**

Mechelsesteenweg 586  
 B-1800 VILVOORDE (BELGIUM)  
 Tel. +32-2-255 24 11  
 Fax +32-2-252 19 81  
[www.komatsueurope.com](http://www.komatsueurope.com)

WESS003002 02/2005

Materials and specifications are subject to change without notice.

**KOMATSU** is a trademark of Komatsu Ltd. Japan.